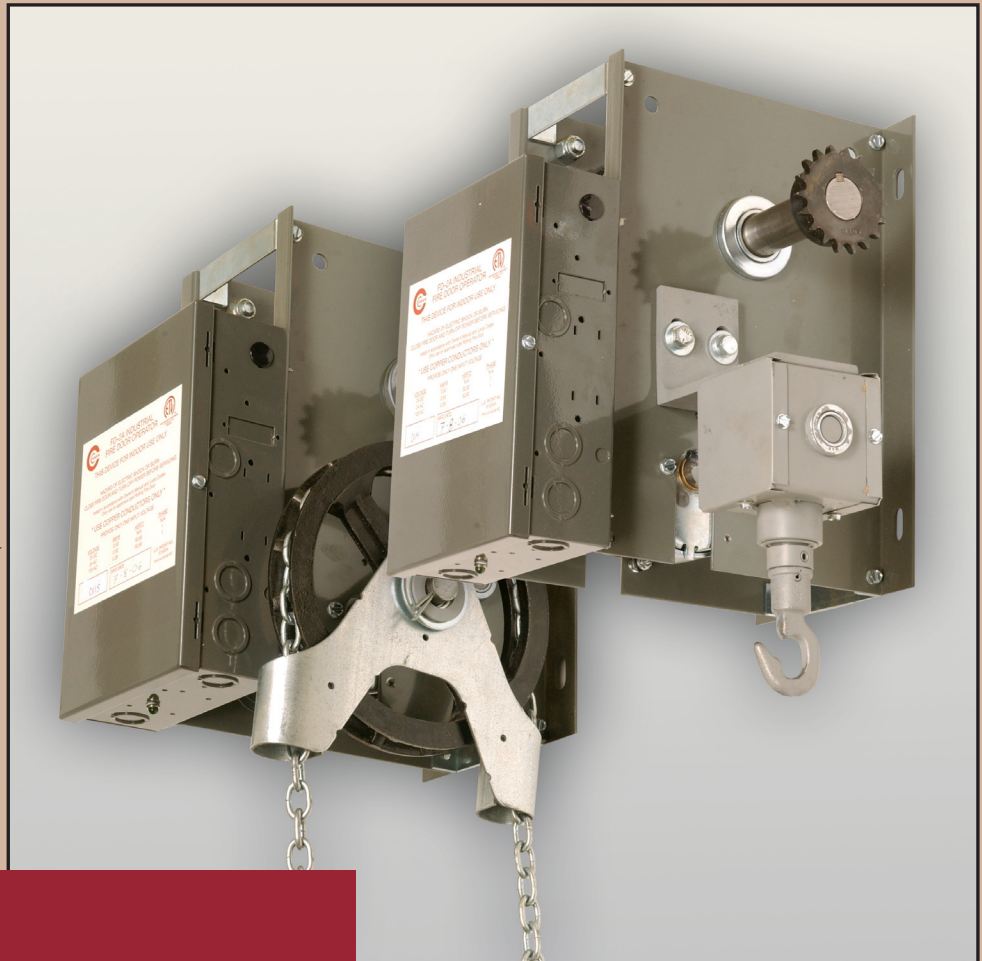
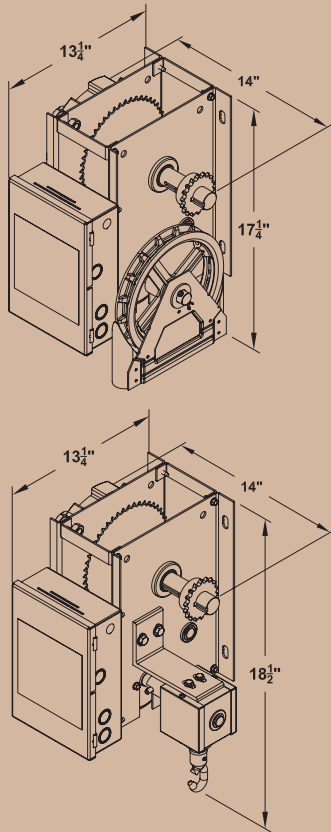


# FD-2A AUTO-TEST FIRE DOOR SYSTEM

## AUTOMATIC RESETTING FIRE DOOR, CHAIN OR CRANK OPERATED



### Completely Automatic Resetting

The Cookson FD-2A Auto-Test Fire Door System is the only system that automatically resets itself after an alarm activation. Once the alarm has been cleared, the FD-2A automatically resets and is immediately ready for the next test or alarm actuation. The FD-2A eliminates the need to reset the fire door. There are no levers, pulleys, chains or pins that have to be reset, and there is never a need for a ladder. At Cookson completely Automatic means just that!

### Standard Features Exceed Industry Standards

#### Multi Voltage Input

Each unit is designed for multiple voltage input depending on the building conditions. The FD-2A can use 120 Volt AC, 24 Volt AC or 24 Volt DC power from an external source or a central building alarm system. Because of the low power consumption design, the FD-2A is compatible with the most sophisticated building alarm systems and can even accept a battery back-up power source.

### Easy to Install and Maintain

The FD-2A operator bolts to the door for easy installation. The Power Indicator LED is easy to see from floor level and the unit is virtually maintenance free.

### Mechanically Superior Design

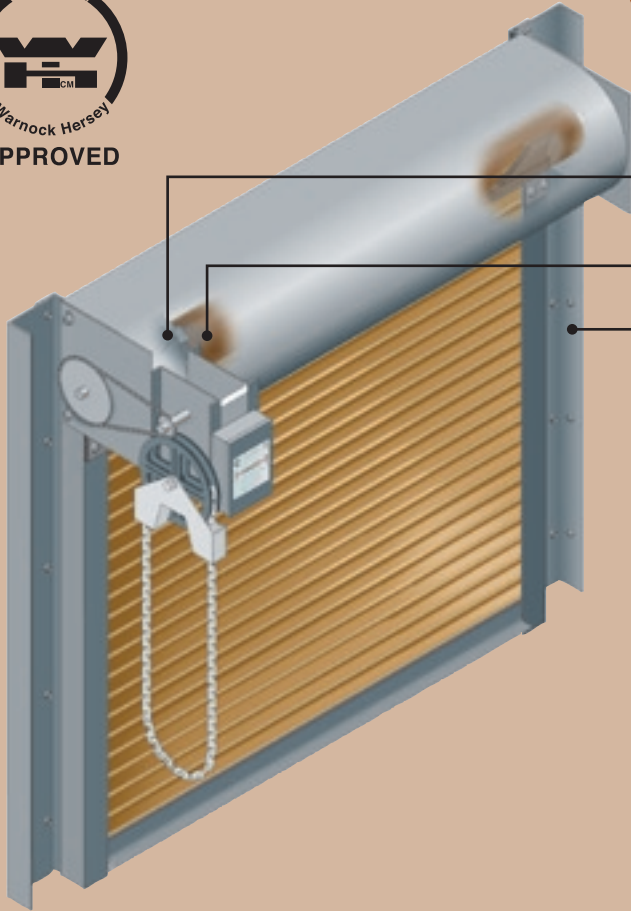
The use of a precision friction disk clutch and a load holding brake provide for a superior operating door. Cookson's lifetime warranted Whisper Governor is incorporated in the FD-2A, providing smooth descent of the door when actuated.



Dimensions shown are for initial design. For final design and specifications and to view the complete Cookson Product line, visit [cooksondoor.com](http://cooksondoor.com)

# THE PREFERRED

# ROLLING FIRE DOOR



- Lifetime warranted Whisper Governor controls automatic closing speed of door to a range of 6" to 24" per second
- Oil tempered torsion springs designed for 50,000 life cycles
- Structural angle guides make door less vulnerable to damage that could prevent the door from fully closing

### Approved sizes

Labeled doors up to 163 square feet not exceeding 13' 6" wide or 12' 0" high

Oversize labels furnished on larger doors not exceeding 24' 0" wide or 16' 4" high

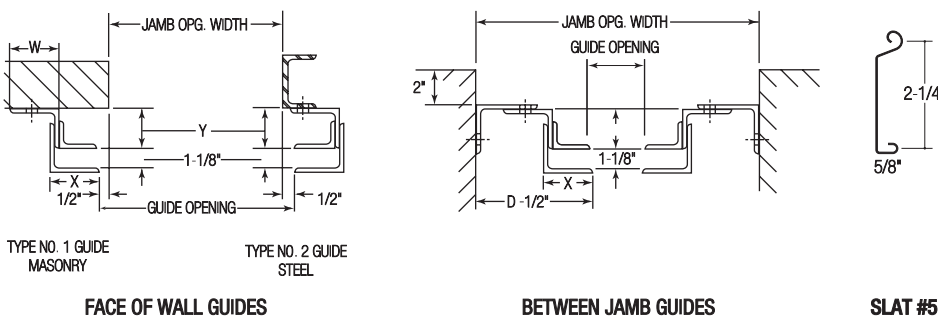
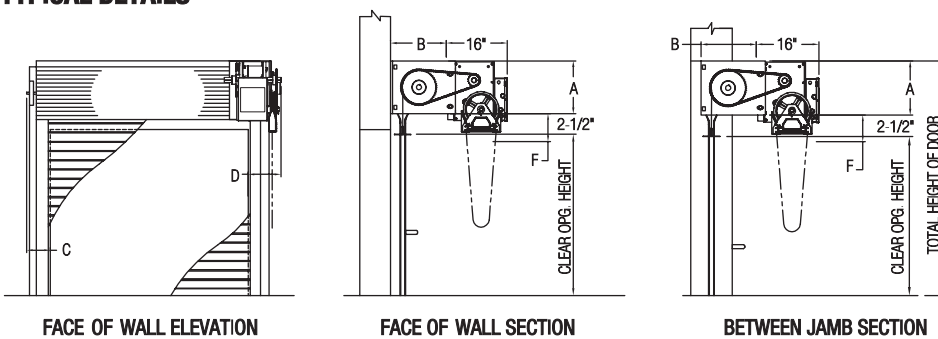
Available for 4 hour, 3 hour, 1-1/2 hour and 3/4 hour ratings

Approved for all wall types (concrete, masonry, structural steel, structural steel with gypsum board)

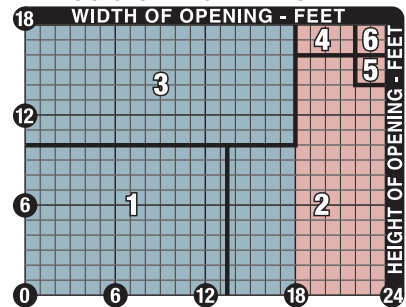
FinalCote Finish Standard

Available in 180 standard ColorCote Colors

## TYPICAL DETAILS



## DIMENSIONS FOR TYPICAL DETAILS



| AREA | COMPONENT DIMENSIONS |       |      |      |      |
|------|----------------------|-------|------|------|------|
|      | A                    | B     | F    | W    | Y    |
| 1    | 13.0"                | 14.0" | 5.0" | 2.5" | 2.5" |
| 2    | 15.0"                | 16.0" | 3.0" | 2.5" | 2.5" |
| 3    | 16.0"                | 17.0" | 2.0" | 2.5" | 3.0" |
| 4    | 16.0"                | 17.0" | 2.0" | 3.0" | 3.0" |
| 5    | 18.0"                | 19.0" | 0.0" | 2.5" | 2.5" |
| 6    | 18.0"                | 19.0" | 0.0" | 3.0" | 3.0" |

| DOOR WIDTH   | "X" DIM | "C" DIM "D" DIM |      |  |
|--------------|---------|-----------------|------|--|
|              |         | FACE OF WALL    |      |  |
| UP TO 8'     | 2.5"    | 6.0"            | 8.5" |  |
| OVER 8'      | 3.0"    | 6.5"            | 9.5" |  |
| BETWEEN JAMB |         |                 |      |  |
| UP TO 8'     | 2.5"    | -               | 8.0" |  |
| OVER 8'      | 3.0"    | -               | 9.0" |  |