

SLIDING GRILLES



Vista

Shatterproof, self-extinguishing Lexan or 1/4" thick tempered glass panels for extra security.

Vista Air

Extruded aluminum panels perforated by 1/4" x 1-1/4" slots in evenly spaced columns and staggered rows. Custom designed slots are available.



Classic

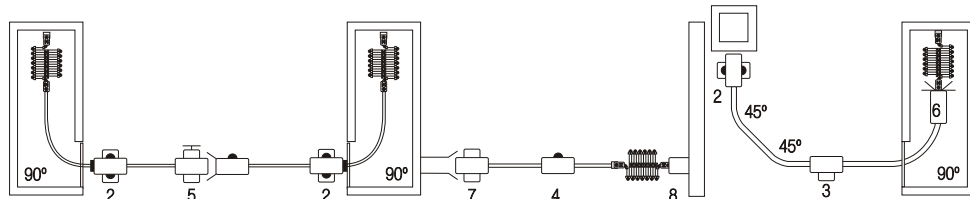
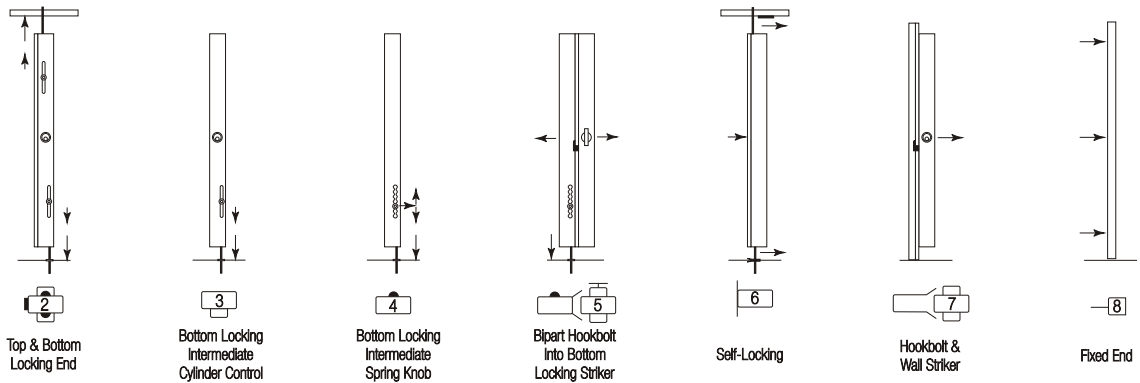
Aluminum rods of 5/16" diameter on 3-1/2" centers. Alternating rods have 7/16" aluminum sleeves. Available in clear anodize finish only.

WEIGHT	
Model	Lbs./Sq. Ft.
Classic	1.2
Vista	2.5
Vista Air	2.0
Vista Solid	2.2
Guardian	1.5
Sentry	1.5

The structure should be designed to carry the weight of a fully stacked grille at any point along its length.

TYPICAL DETAILS

VERTICAL STILES AND LOCKING



Heavy duty construction

Choice of Finishes

Clear Anodize

Duracron Paint (White, Light Bronze, Medium Bronze, Black)

(The Classic is available in clear anodize only)

Exclusive top track design for smoother operation

Vertical stiles furnished for every 10' of curtain

Self-Adjusting locks on all vertical stiles

Cylinder activated locks on all lead stiles

Floor sockets with stainless steel tops prevent debris from clogging sockets

6 styles to choose from

Standard curved track (45° or 90° in 10" or 14" Radii) available at no additional cost



Sentry

Classic grille with aluminum plates available in varying heights to form a pattern. The pattern number indicates the height of the plates. (Example: 33 pattern plates are 3" high, 99 pattern plates are 9" high, etc.)



Vista Solid

Extruded Aluminum Panels for maximum security and privacy.

Guardian

6" x 3/4" horizontal aluminum members spaced at 12" vertical intervals with 7/16" tubing over 5/16" rods in the center of each panel. This heavy-duty grille provides a high level of security while allowing good visibility and airflow.

