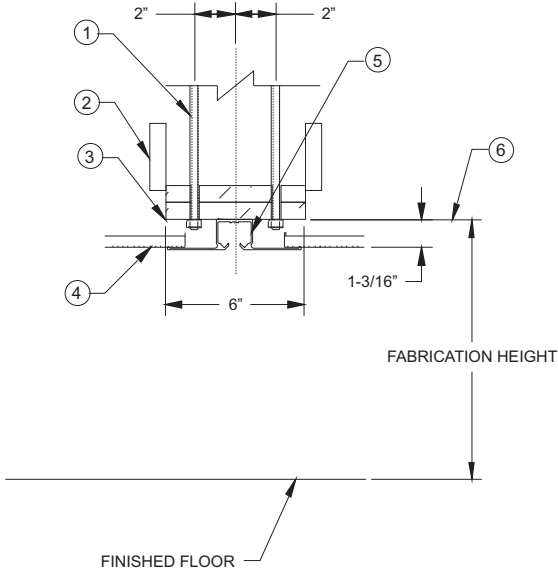
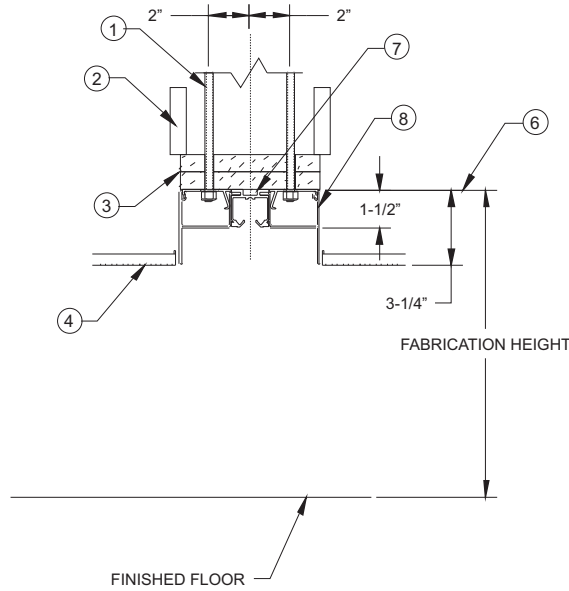


# SIGHT KONTROL™, HEAD DETAILS - STRAIGHT DOOR - MANUAL OPERATION

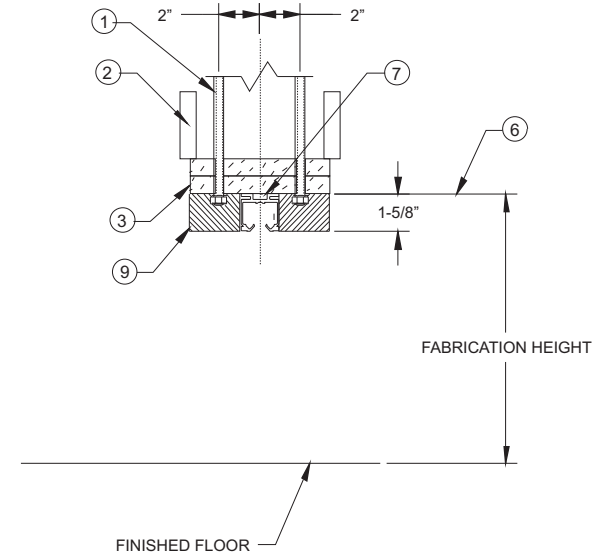
RECESSED TRACK



SURFACE TRACK W/ SOFFIT



SURFACE TRACK W/ WOOD TRIM



**KEY:**

1. 3/8" DIAMETER THREADED RODS WITH NUTS AND WASHERS ATTACHED TO STRUCTURAL SUPPORT ABOVE BY OTHERS (24" O.C. IN OPENING AND 12" O.C. IN STACK AREA).
2. INSULATE AS REQUIRED FOR SOUND ATTENUATION BY OTHERS.
3. (2) LAYERS 3/4" X 6" X CONTINUOUS PLYWOOD GLUED AND SCREWED TOGETHER WITH STAGGERED JOINTS BY OTHERS. HEADER MUST BE PARALLEL TO THE FLOOR WITH MAXIMUM TOLERANCE OF ±1/4".
4. CEILING BY OTHERS.
5. RECESSED TRACK BY COOKSON.
6. TOP OF TRACK.
7. SURFACE TRACK BY COOKSON.
8. SOFFIT BY COOKSON (NOT REQUIRED FOR WOOD TRIM APPLICATION).
9. WOOD TRIM BY OTHERS.

**NOTE:**

- ALL TRACK IS TO BE FASTENED TO THE HEADER BY USING THE #10 X 2-1/2" FLAT HEAD FULL THREAD SCREWS PROVIDED WITH DOOR BY COOKSON