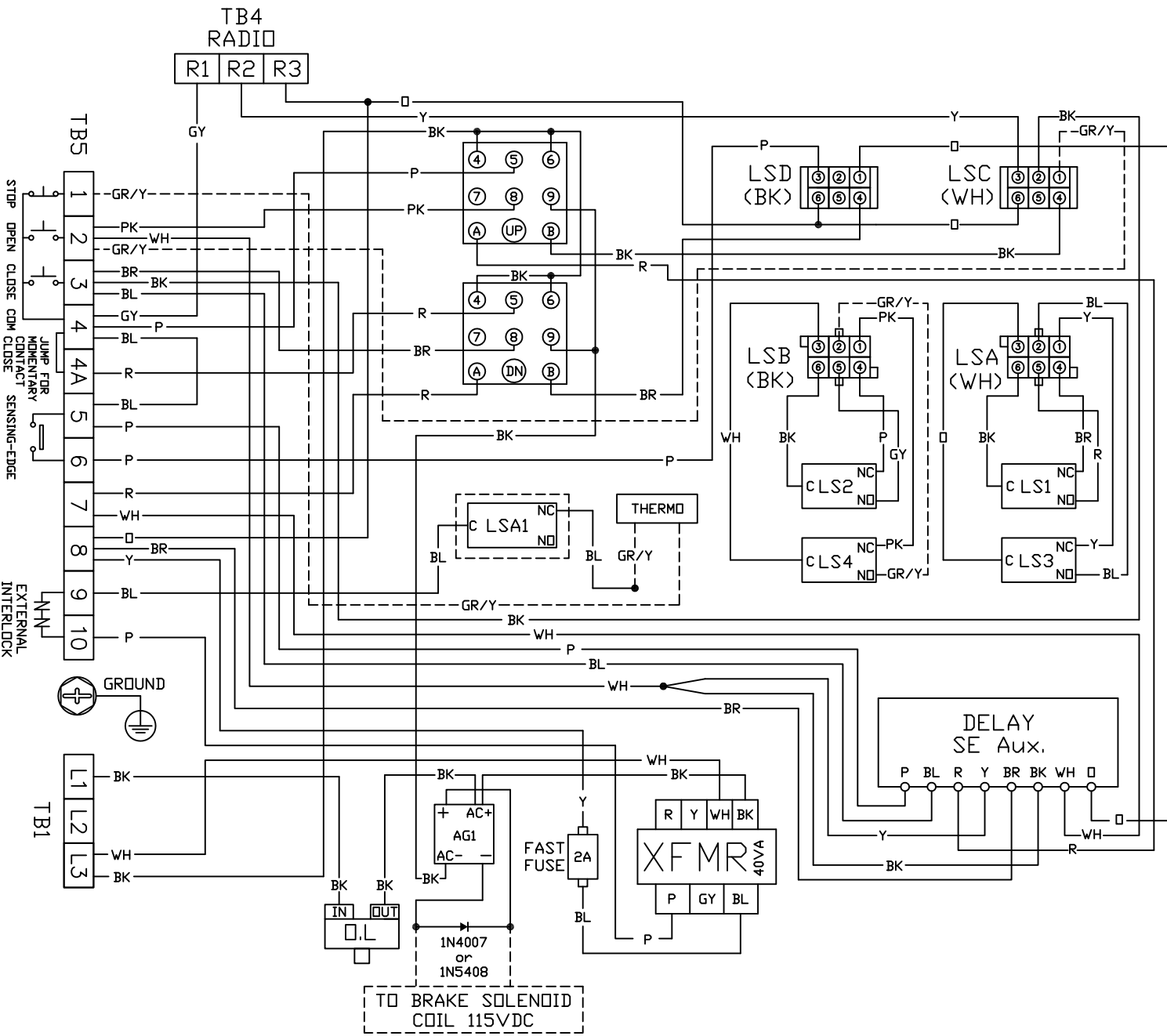
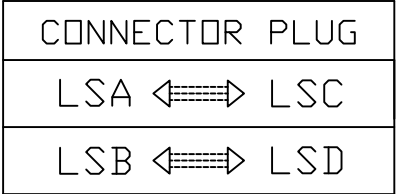


## MG Operator 115VAC 1 Phase Left Hand For 1/3HP, 1/2HP and 3/4HP

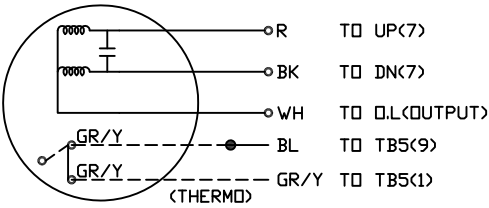
EM 104 L



- NOTES:**  
 UP-OPEN RELAY (COIL 24VAC)  
 DN-CLOSE RELAY (COIL 24VAC)  
 LSA-LS1 & LS3 MICROSWITCH CONNECTOR  
 LSB-LS2 & LS4 MICROSWITCH CONNECTOR  
 LSC-OPEN CONTROL CONNECTOR  
 LSD-CLOSE CONTROL CONNECTOR  
 LSA1-MANUAL CUT-OFF MICROSWITCH



- TERMINAL NUMBER:**  
 1 CONTROL STATION-STOP  
 2 CONTROL STATION-OPEN  
 3 CONTROL STATION-CLOSE  
 4 CONTROL STATION-COMMON  
 4&4A JUMP FOR MOMENTARY CONTACT CLOSE  
 5&6 SENSING-EDGE (S.E.) CONNECTION  
 7&8 DOOR CLOSING WARNING SIGNAL 24VAC  
 9&10 EXTERNAL INTERLOCK



115V 1 PHASE  
MOTOR CONNECTION