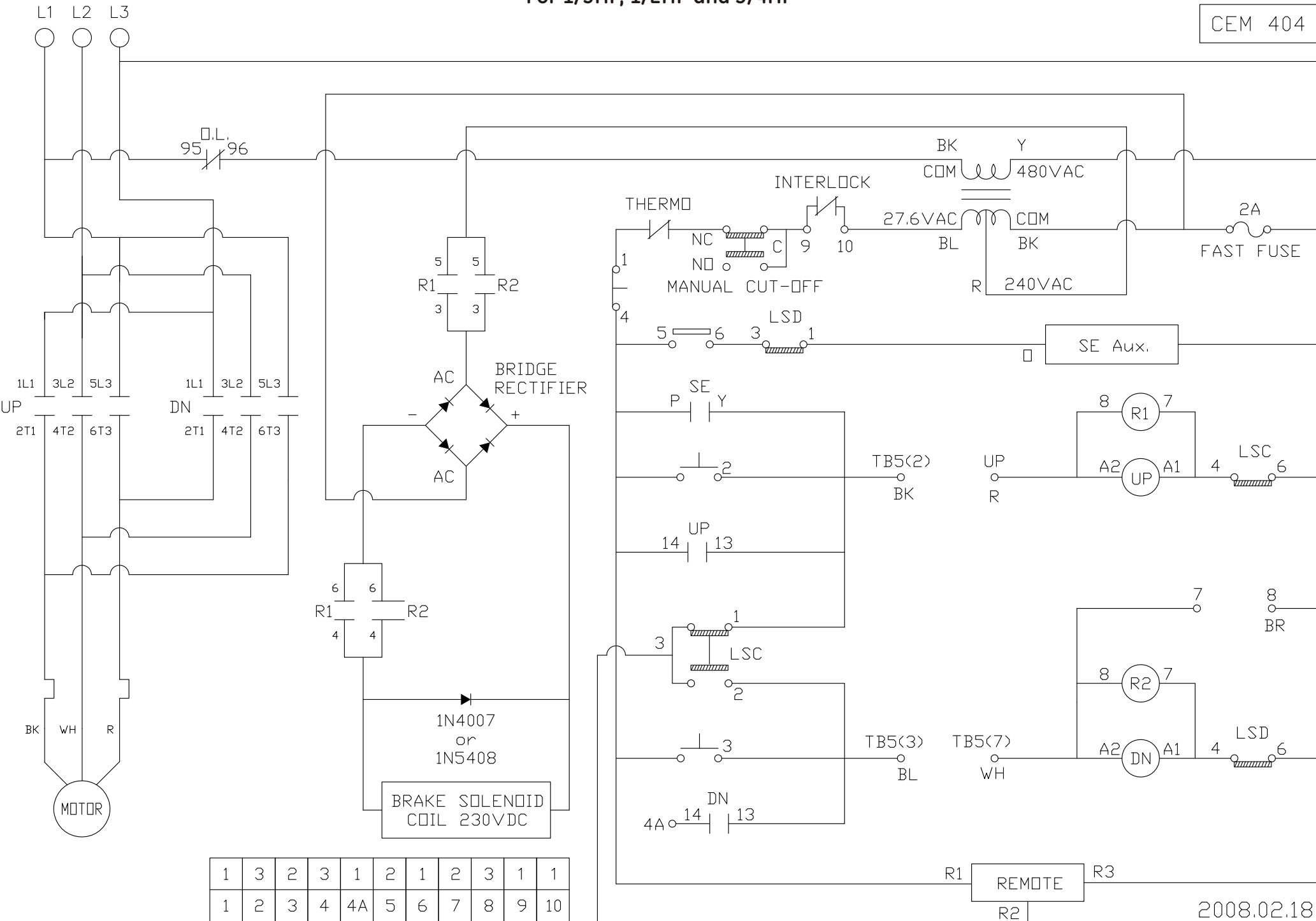


MG Operator 460VAC 3 Phase For 1/3HP, 1/2HP and 3/4HP

CEM 404



1	3	2	3	1	2	1	2	3	1	1
1	2	3	4	4A	5	6	7	8	9	10