

MG MOTOR OPERATOR



Industrial Duty Gearhead Operators Designed for Cookson Doors

The Cookson Company MG Gearhead motor operators are a compact industrial duty operator that is designed for rolling door applications cycling up to 25 cycles per day. The compact design allows the motor operator to fit within the coil height dimensions. The motor operator is prewired to the attached control panel simplifying field wiring. The Cookson MG Gearhead motor operator is designed specifically for Cookson Rolling Door products and is simple, compact and very efficient.

Available in 3 Sizes

The MG Gearhead motor operator is available in 1/3 HP, 1/2 HP and 3/4 HP sizes. All sizes are available in 115 and 230 Volts 1 Phase and 230 and 460 Volts 3 Phase.

Industrial Duty Components

The components of the MG motor operator are designed for an industrial environment. The motor is Totally Enclosed Non-Ventilated (TENV), the gear reducer consists of lubricated heavy duty gears, the brake is maintenance free solenoid activated and the control panel is in a NEMA 1 enclosure.

Safety Controls

The Cookson MG operator is prewired for sensing edges, photo eyes and other detection safety devices. It also has built in logic which stops a closing door if either an open, stop or remote transmitter button is pressed. The MG operator has a radio control terminal strip on the outside of the control panel to facilitate the connection.

Exceptional 2-Year Warranty

The Cookson MG operator comes with a 2 year warranty, which is the best in the industry. With uncompromising quality the MG operator is designed to be used with Cookson Rolling Doors to provide years of flawless operation.



The Cookson Company, Inc.

Dimensions shown are for initial design. For final design, specifications, and to view the complete Cookson Product line, visit cooksondoor.com

THE PREFERRED

MOTOR OPERATOR



Totally Enclosed Non-Ventilated Motor (TENV) 1/3 HP, 1/2 HP or 3/4 HP

Available in 115 V, 230 V 1 Phase and 230V, 460V 3 Phase

- Pre-Wired Control Panel in NEMA 1 Enclosure mounted on Motor Operator

- Auto-Reset Thermal Overload Protection

- Pre-Wired for Sensing Edge and Sensing Devices

- Exterior Radio Receiver Control Terminal

- Gear Box with Heavy Duty Lubricated Gears

- Geared Limit Switches stop Door in Open and Closed Position

- Maintenance-Free Solenoid Brake

- Emergency Chain Hoist

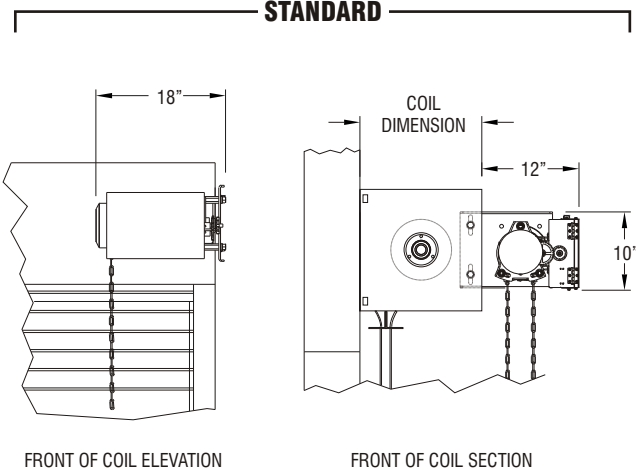
- Motor Interlock to prevent Motor from operating when Locks are engaged (Optional for 1/3 HP and 1/2 HP)

FULL LOAD AMPS CHART

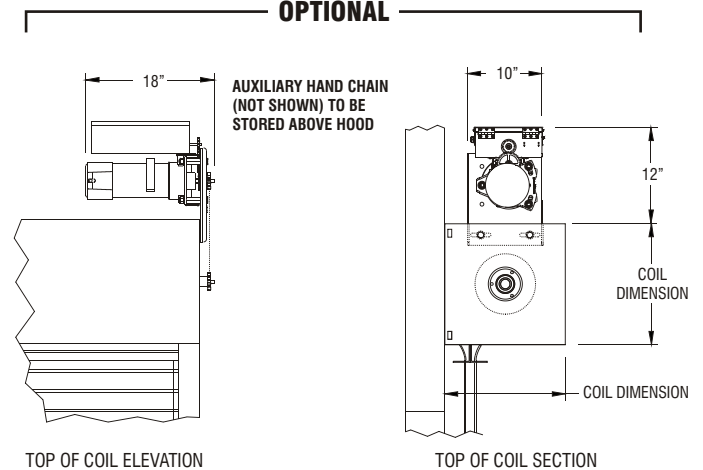
Volt	Phase	Cycle	1/3 HP	1/2 HP	3/4HP
115	1	60Hz	3.0	4.8	5.4
230	1	60Hz	1.8	2.3	2.8
230	3	60Hz	0.8	1.0	1.65
460	3	60Hz	0.4	0.5	0.85

MOUNTING OPTIONS

STANDARD



OPTIONAL



The Cookson Company, Inc.

© 2010

2417 S. 50th Avenue
Phoenix, AZ 85043

Phone: (800) 390-8590
FAX: (866) 448-6804

information@cooksondoor.com