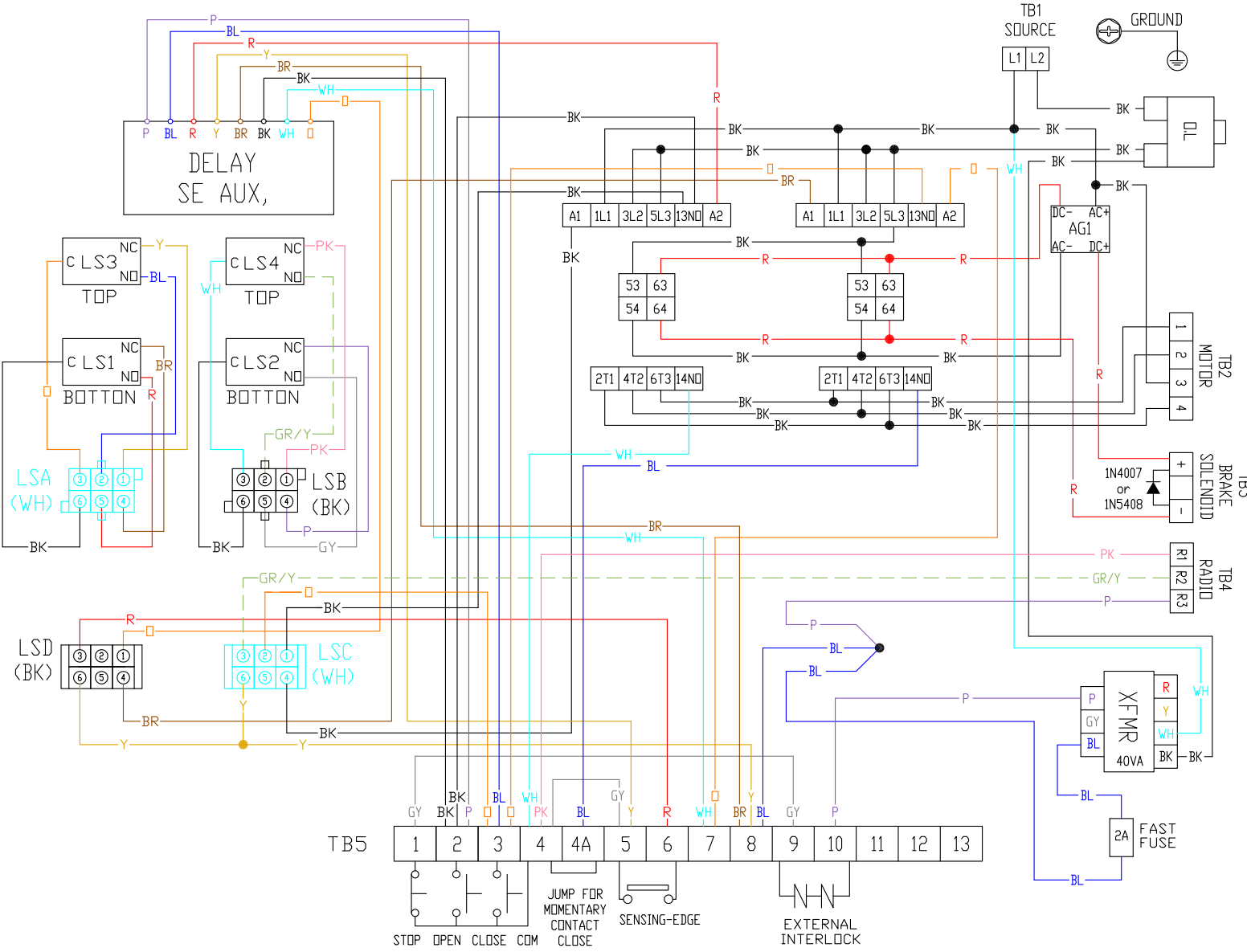
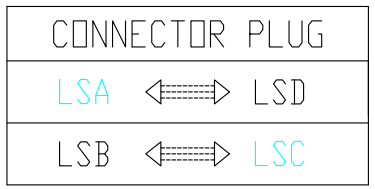


# SG Operator 115VAC 1 Phase Right Hand For 2HP

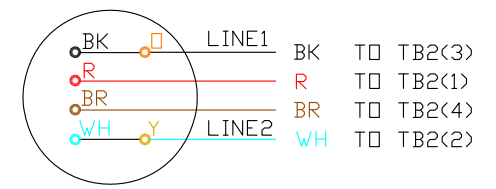


EDB106 R

- NOTES:
- LSA-LS1 & LS3 MICROSWITCH CONNECTOR
  - LSB-LS2 & LS4 MICROSWITCH CONNECTOR
  - LSC-OPEN CONTROL CONNECTOR
  - LSD-CLOSE CONTROL CONNECTOR



- TERMINAL NUMBER:
- 1 CONTROL STATION-STOP
  - 2 CONTROL STATION-OPEN
  - 3 CONTROL STATION-CLOSE
  - 4 CONTROL STATION-COMMON
  - 4&4A JUMP FOR MOMENTARY CONTACT CLOSE
  - 5&6 SENSING EDGE (S.E.) CONNECTION
  - 7&8 DOOR CLOSING WARNING SIGNAL 24VAC
  - 9&10 EXTERNAL INTERLOCK



115V 1 PHASE  
MOTOR CONNECTION