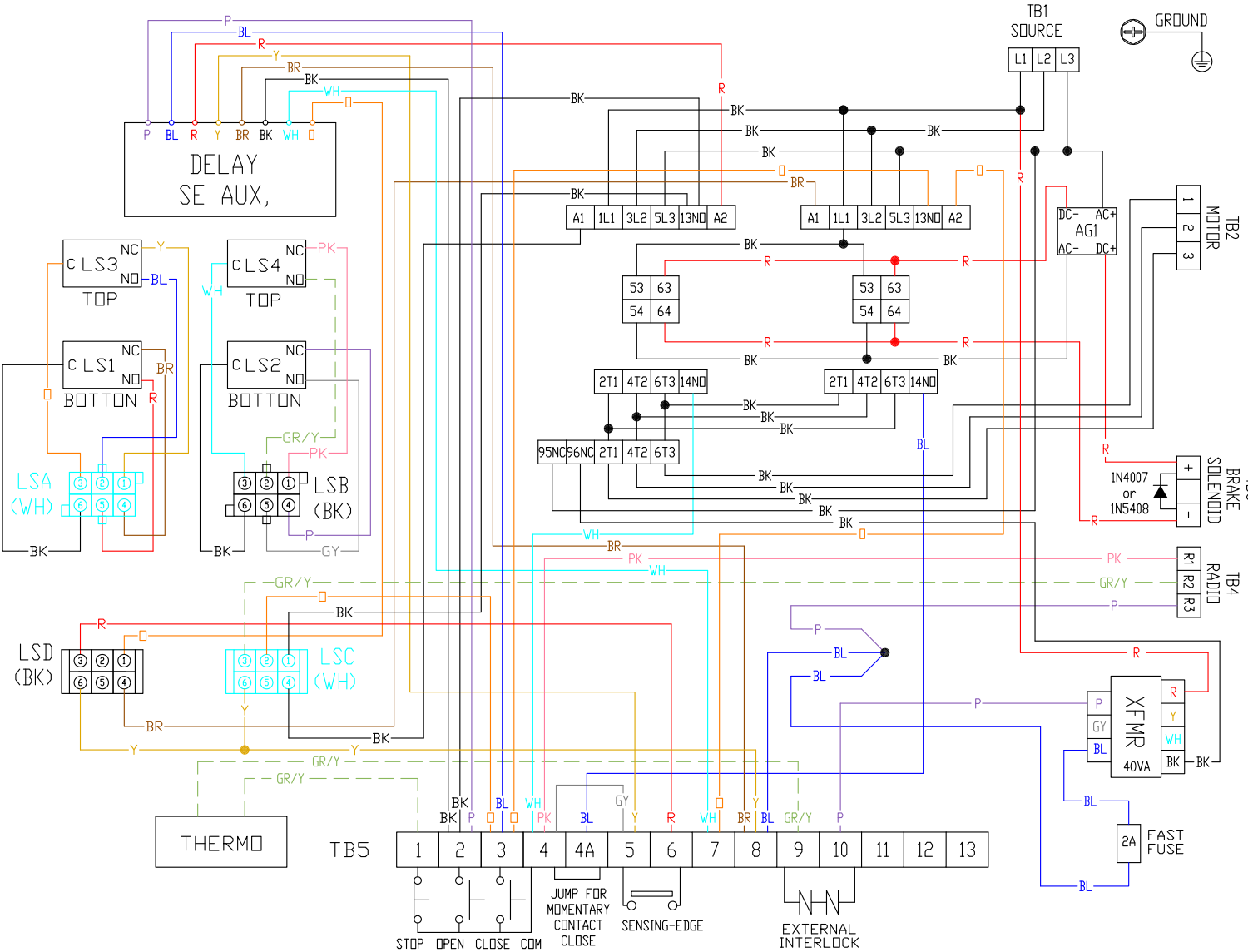
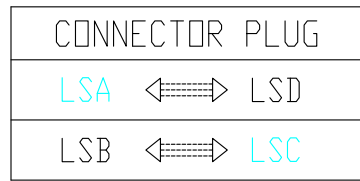


# SG Operator 208 / 230VAC 3 Phase Right Hand For 2HP

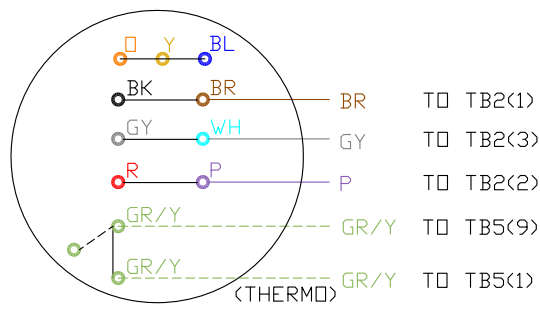


EDB306 R

NOTES:  
LSA-LS1 & LS3 MICROSWITCH CONNECTOR  
LSB-LS2 & LS4 MICROSWITCH CONNECTOR  
LSC-OPEN CONTROL CONNECTOR  
LSD-CLOSE CONTROL CONNECTOR



TERMINAL NUMBER:  
1 CONTROL STATION-STOP  
2 CONTROL STATION-OPEN  
3 CONTROL STATION-CLOSE  
4 CONTROL STATION-COMMON  
4&4A JUMP FOR MOMENTARY CONTACT CLOSE  
5&6 SENSING EDGE (S.E.) CONNECTION  
7&8 DOOR CLOSING WARNING SIGNAL 24VAC  
9&10 EXTERNAL INTERLOCK



208V/230V 3 PHASE  
MOTOR CONNECTION