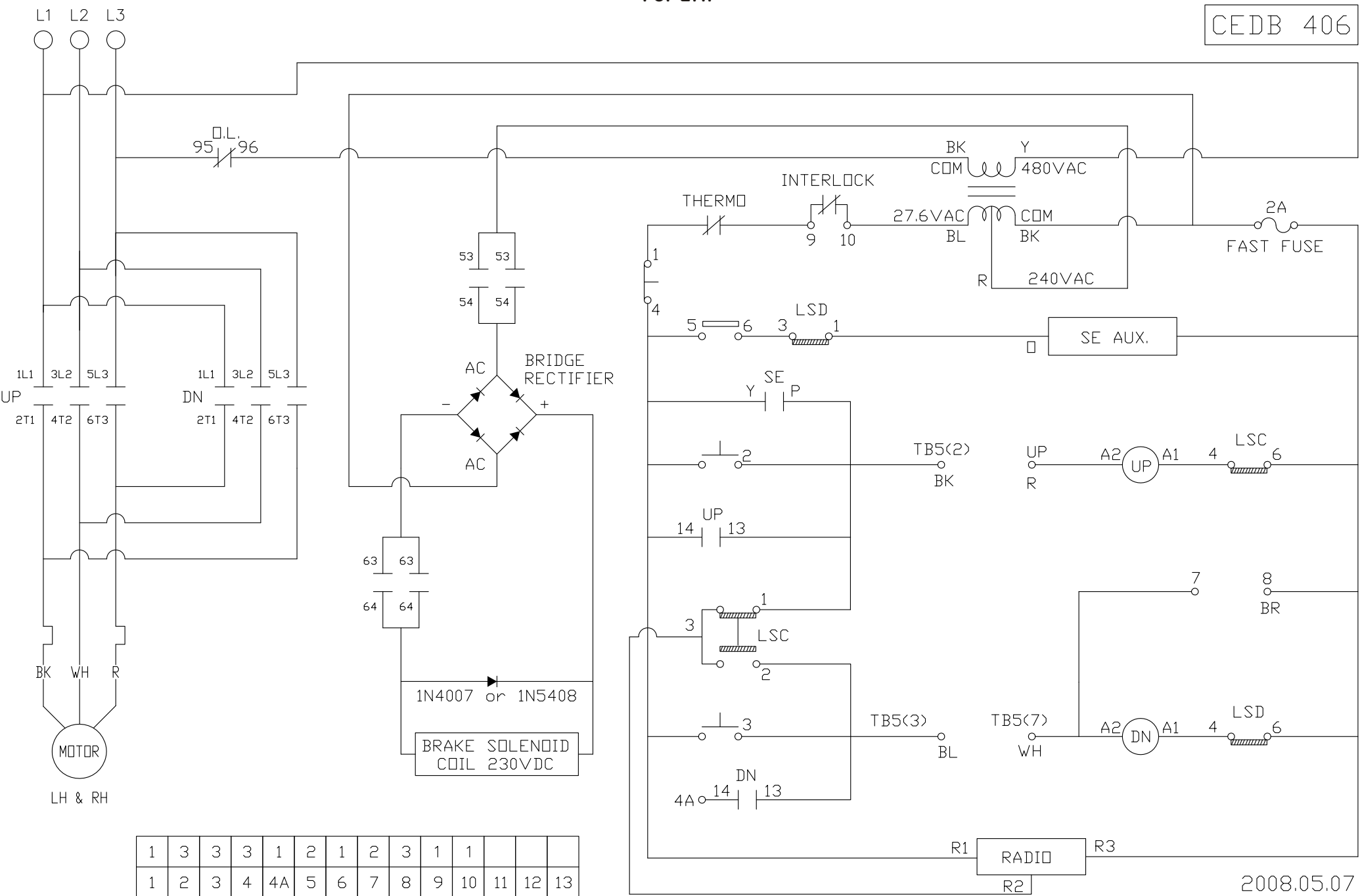


SG Operator 460VAC 3 Phase For 2HP

CEDB 406



1	3	3	3	1	2	1	2	3	1	1			
1	2	3	4	4A	5	6	7	8	9	10	11	12	13