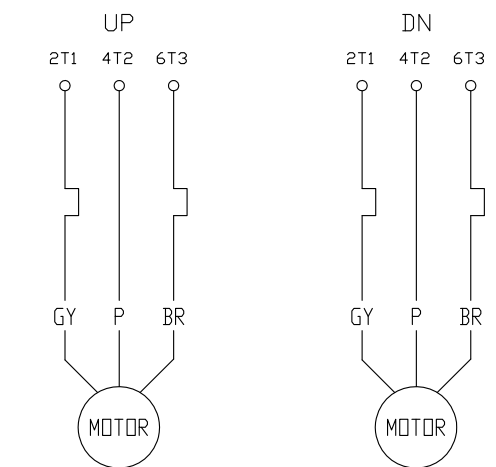
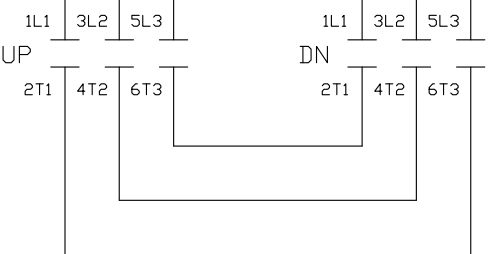
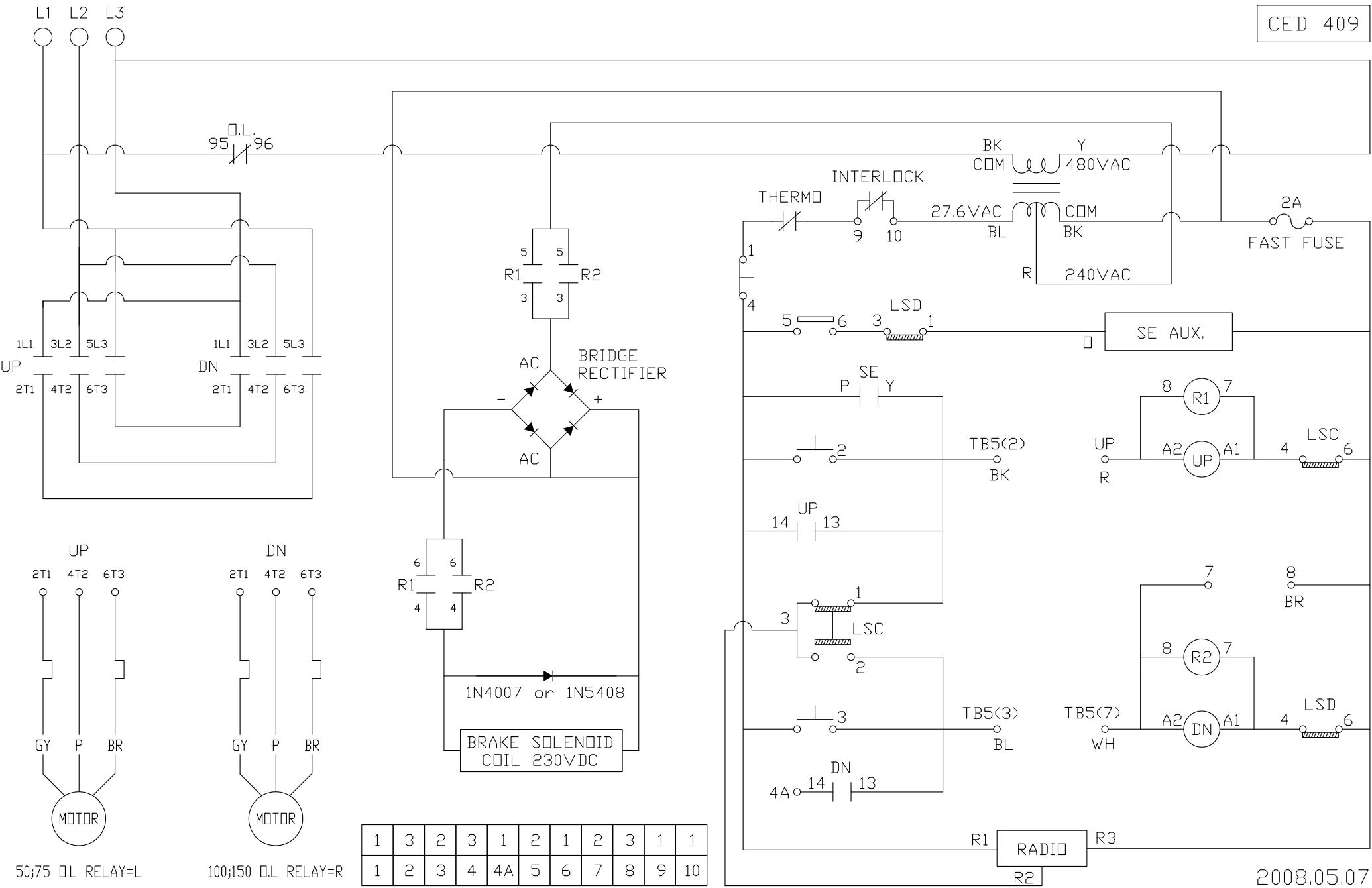


### SG Operator 460VAC 3 Phase For 1/2HP, 3/4HP, 1HP and 1 1/2HP

CED 409



50;75 D.L. RELAY=L

100;150 D.L. RELAY=R

1	3	2	3	1	2	1	2	3	1	1
1	2	3	4	4A	5	6	7	8	9	10

2008.05.07