

FDO-A/FDO-B AUTO-TEST™ FIRE DOOR SYSTEMS

AUTOMATIC RESETTING FIRE DOOR, MOTOR OPERATED



FDO-A Auto-Test™ Fire Door

Benefits of FDO-A and FDO-B Auto-Test Fire Door Systems

Automatic resetting of the automatic closing system yields dramatic savings for building owners in testing and resetting costs as well as minimized opening downtime.

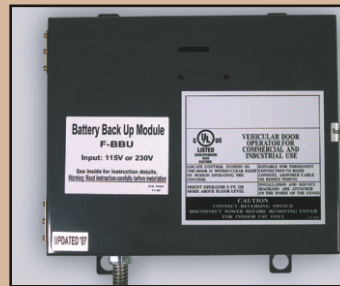
Eliminate mechanical spring release and complicated testing and resetting, especially on recessed and larger doors.

- System automatically resets to normal operation upon clearing of alarm signal and/or restoration of power.
- Routine testing of the automatic closing system occurs in minutes from floor level by factory personnel.
- Required annual inspection by a trained fire door systems technician is simplified.

Safe, controlled, automatic closing speed will not exceed 9" per second.

Auto-Test Motors are directly wired for activation by fire alarm systems, local detectors or power failure without requiring connection to a separate alarm interface, fusible link release device.

- FDO-B's battery back-up prevents unwanted door drops from power failure for up to four hours. It can also be used to power local detectors and warning devices.



Battery Back-Up
Provided with FDO-B
Auto-Test™ Fire Door

Automatically Resetting Auto-Test™ Fire Doors

Cookson Auto-Test FDO-A and FDO-B Fire Door Systems are fully automatic, fail-safe fire doors that close in the event of alarm activation without releasing any spring tension or disengaging the motor from the drive mechanism. This means that the fire door never has to be reset after an alarm activation or fire door drop test. The FDO-A and FDO-B can be easily tested and reset as often as desired without needing trained technicians, levers, pulleys, chains, pins, or ladders to mechanically reset the fire doors!

Safe, Convenient Motor Operation

The Auto-Test motors installed on the FDO-A and FDO-B are wired into smoke detectors or building alarm systems. In normal mode, the fire doors can be opened and closed by the use of a push button station, key switch or other operating device. When the smoke detector or building alarm system is activated, the FDO-A and FDO-B automatically close at a safe, governed speed not to exceed 9" per second. Once power is restored or the alarm is cleared, the doors are automatically reset and can be immediately opened using the operating device.

Ready For Any Emergency

During alarm activation or power loss, Cookson's FDO-A Auto-Test Fire Door System's safe, controlled closing speed allows building occupants to safely vacate the area. The FDO-B Auto-Test Fire Door System performs the same under alarm activation, but includes a battery back-up that will hold the door open for up to four hours upon loss of power. The battery back-up can also power local detectors and warning devices. If either system encounters an obstruction, it will rest there until the obstruction is moved. In addition to sensing edge options, Cookson also offers annunciators, horns, and strobes that can be added to both FDO-A and FDO-B Auto-Test Fire Doors. Don't settle for unsafe fire doors that can drop at speeds in excess of 24" per second, are costly to test and reset, and can create a hazard to building occupants. Cookson's Auto-Test FDO-A and FDO-B Fire Door Systems are the most advanced fire doors available!

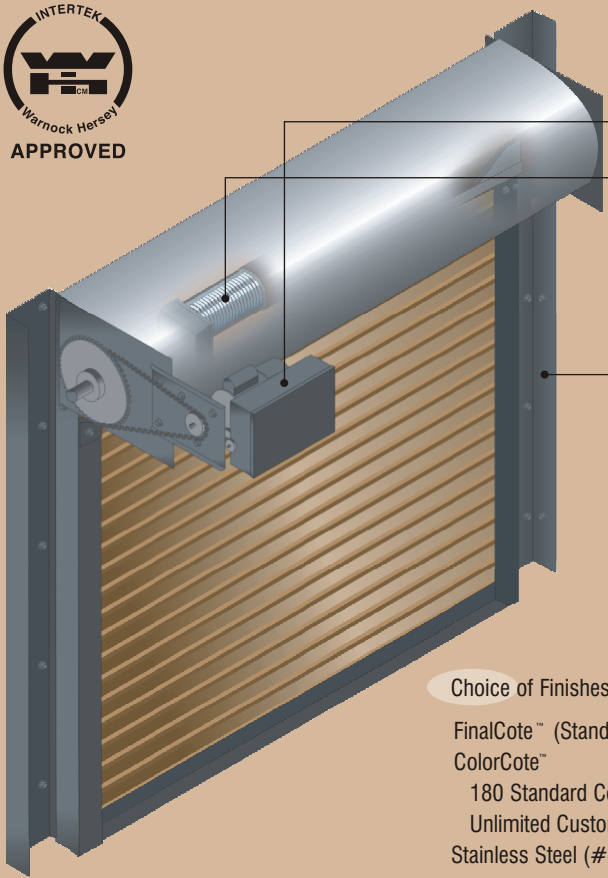


The Cookson Company, Inc.

Dimensions shown are for initial design. For final design, specifications, and to view the complete Cookson Product line, visit cooksondoor.com

THE PREFERRED

ROLLING FIRE DOOR

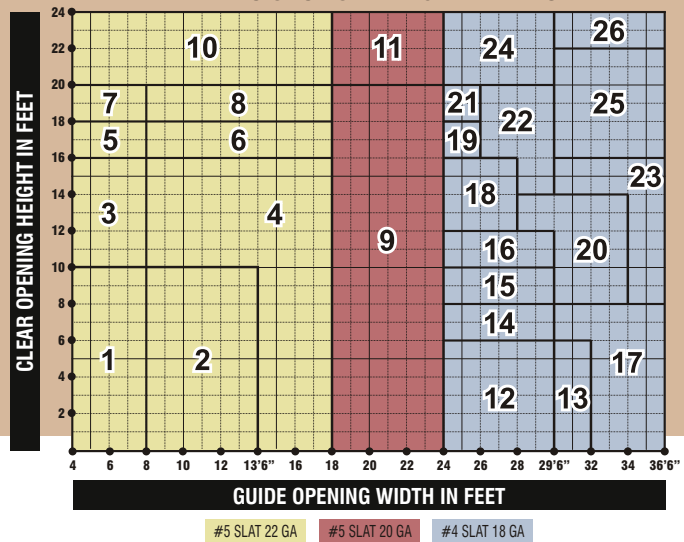


- Governor controls automatic closing speed not to exceed 9" per second
- Oil tempered torsion springs designed for 50,000 life cycles
- Structural angle guides make door less vulnerable to damage that could prevent the door from fully closing
- Available for 4-hour, 3-hour, 1 1/2-hour and 3/4-hour ratings
- Approved for all wall types (concrete, masonry, structural steel, structural steel with gypsum board)

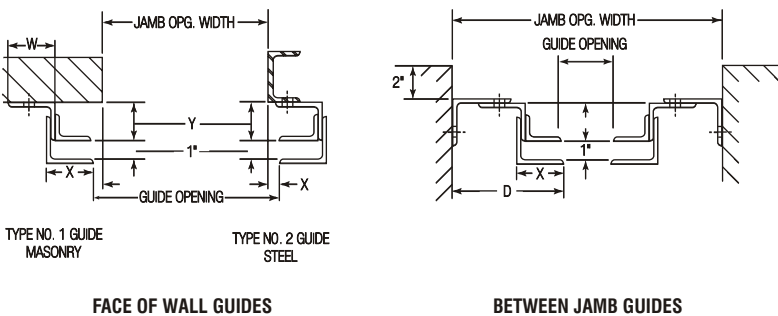
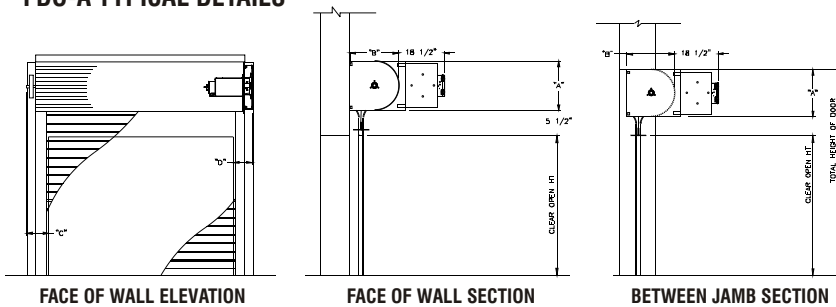
Choice of Finishes:

- FinalCote™ (Standard: Tan, White or Gray)
- ColorCote™
- 180 Standard Colors (Optional)
- Unlimited Custom Colors (Optional)
- Stainless Steel (#4 Polish)

DIMENSIONS FOR TYPICAL DETAILS



FDO-A TYPICAL DETAILS



AREA	COMPONENT DIMENSIONS						
	A	B	C	D	W	X	Y
1	13"	14"	6"	8.5"	2.5"	2.5"	2.5"
2	13"	14"	6.5"	9.5"	2.5"	3"	2.5"
3	15"	16"	6"	8.5"	2.5"	2.5"	2.5"
4	15"	16"	6.5"	9.5"	2.5"	3"	2.5"
5	16"	17"	6"	8.5"	2.5"	2.5"	3"
6	16"	17"	6.5"	9.5"	2.5"	3"	3"
7	18"	19"	6"	8.5"	2.5"	2.5"	3.5"
8	18"	19"	6.5"	9.5"	2.5"	3"	3.5"
9	18"	19"	6.5"	9.5"	3"	3"	3.5"
10	20"	21"	6.5"	9.5"	2.5"	3"	3.5"
11	20"	21"	6.5"	9.5"	3"	3"	3.5"
12	15"	16"	6.5"	9.5"	3"	3"	3"
13	15"	16"	12.5"	12.5"	6"	6"	4"
14	16"	17"	6.5"	9.5"	3"	3"	3"
15	18"	19"	6.5"	9.5"	3"	3"	3"
16	18"	19"	6.5"	9.5"	3"	3"	3.5"
17	18"	19"	12.5"	12.5"	6"	6"	4"
18	20"	21"	6.5"	9.5"	3"	3"	3.5"
19	20"	21"	6.5"	9.5"	3"	3"	4"
20	20"	21"	12.5"	12.5"	6"	6"	4"
21	22"	23"	6.5"	9.5"	3"	3"	4"
22	22"	23"	9.5"	9.5"	3"	3"	4"
23	22"	23"	12.5"	12.5"	5"	6"	5"
24	24"	25"	9.5"	9.5"	3"	3"	5"
25	24"	25"	12.5"	12.5"	5"	6"	5"
26	26"	27"	12.5"	12.5"	5"	6"	5"



The Cookson Company, Inc.

P.O. Box 23880
Phoenix, AZ 85063

Phone: (800) 390-8590
FAX: (866) 448-6804

marketing@cooksondoor.com

© 2011